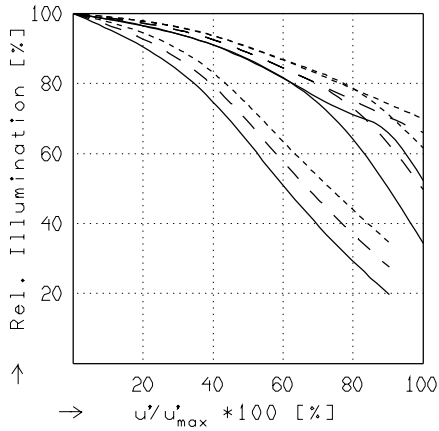
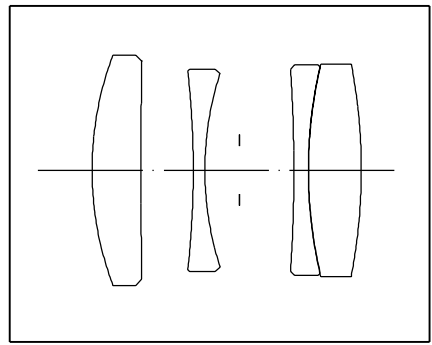


XENAR 6.1/210

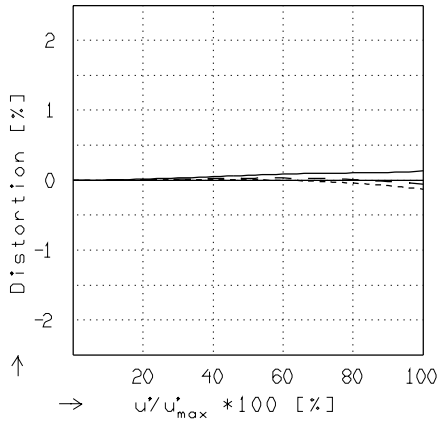
$f' = 215.7 \text{ mm}$ $\beta_p = 0.960$
 $s_F = -197.6 \text{ mm}$ $s_{EP} = 27.1 \text{ mm}$
 $s_{F'} = 188.7 \text{ mm}$ $s_{A'P} = -18.4 \text{ mm}$
 $HH' = 1.2 \text{ mm}$ $\Sigma d = 46.3 \text{ mm}$



RELATIVE ILLUMINATION

The relative illumination is shown for the given focal distances or magnifications.

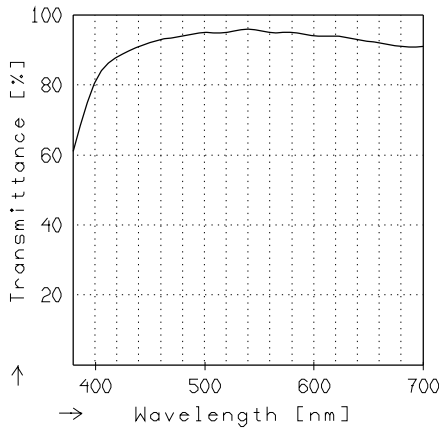
	$f / 6.1$	$f / 11.0$	$f / 22.0$
— $\beta' = 0.0000$	$u'_{max} = 124.7$	$00' = \infty$	
- - $\beta' = -0.1000$	$u'_{max} = 124.4$	$00' = 2611.$	
- · - $\beta' = -0.2000$	$u'_{max} = 124.3$	$00' = 1554.$	



DISTORTION

Distortion is shown for the given focal distances or magnifications. Positive values indicate pincushion distortion and negative values barrel distortion.

— $\beta' = 0.0000$	$u'_{max} = 124.7$	$00' = \infty$
- - $\beta' = -0.1000$	$u'_{max} = 124.4$	$00' = 2611.$
- · - $\beta' = -0.2000$	$u'_{max} = 124.3$	$00' = 1554.$



TRANSMITTANCE

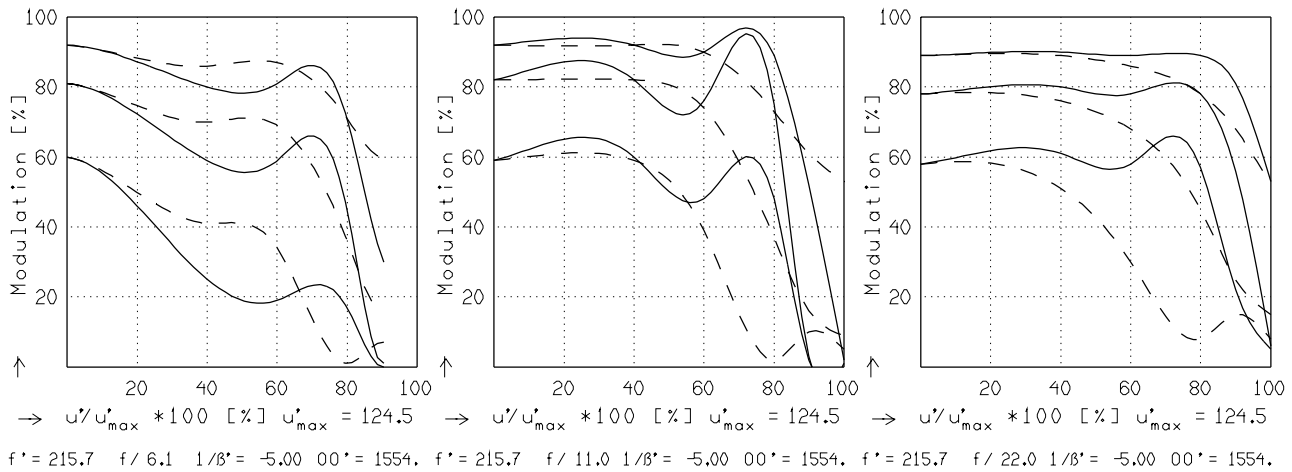
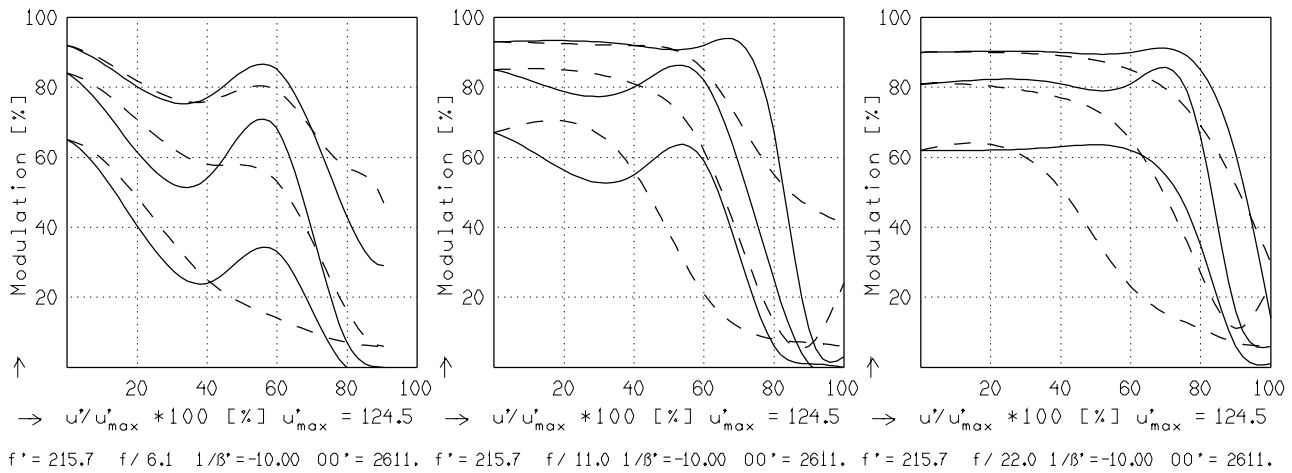
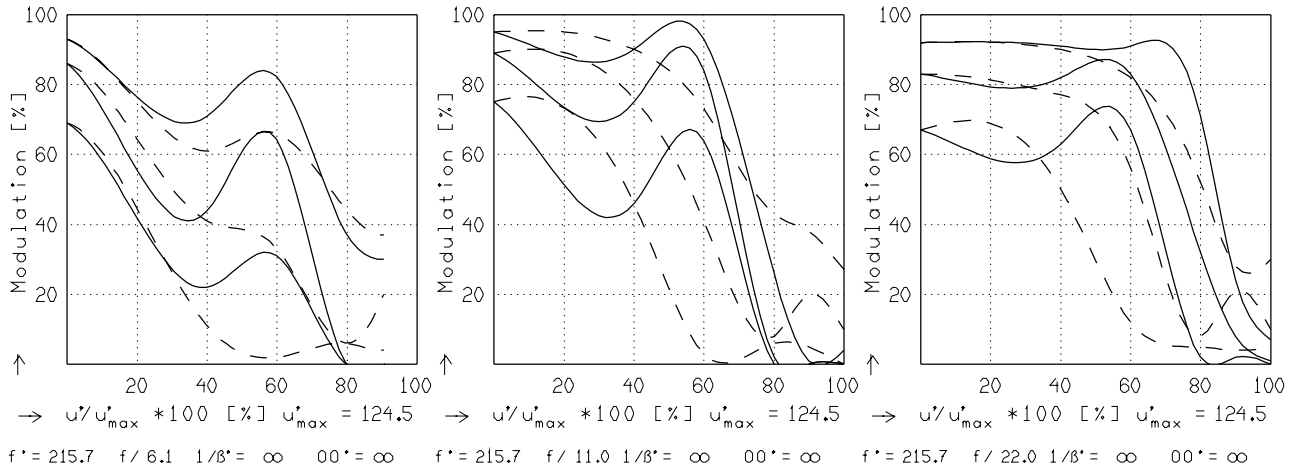
Relative spectral transmittance is shown with reference to wavelength.

XENAR 6.1/210

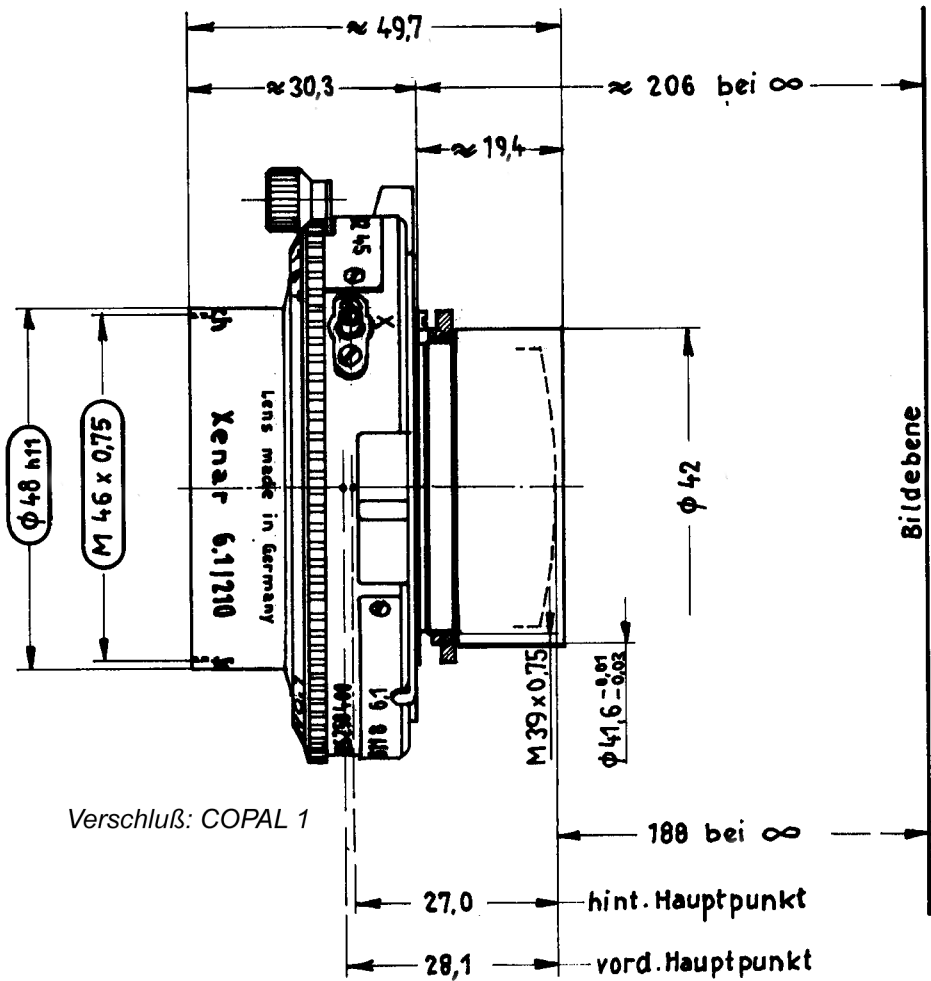
MODULATION with reference to the relative image height

Wavelength λ	[nm]	546	644	588	480	436	405
Spectral weighting	[%]	24.6	18.6	22.1	12.4	15.2	7.1
Spatial frequency R [1/mm]		5	10	20			
Image- \emptyset f / 6.1	[mm]	225.1					
Image- \emptyset f / 22.0	[mm]	249.0					

radial —
tangential - -



Focusing : MTF_{max} at $f / 6.1$, $R = 20$ 1/mm, $u'/u'_{max} = 0$



Verschluss: COPAL 1